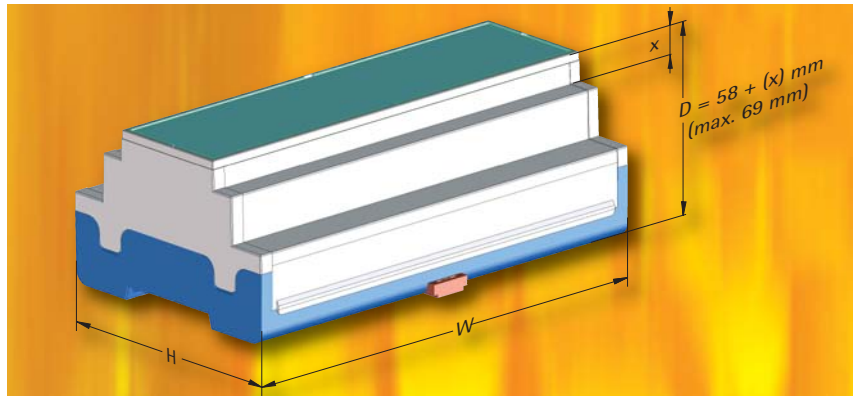


apraRAIL DB series: modular, sturdy and all-purpose

- rugged electronic enclosure (modular case) consisting of bottom part, top p.c. board fixing **2** and mounting clips **3** for top hat rail or wall mounting
- all-purpose for building services and security engineering, measuring and control technology as well as automation
- different requirements like cut-outs, ventilation or displays can be easily fulfilled by mechanical customisation or even by adaption of the tool
- snap-in front panel available in grey or transparent version
- safe hold of horizontally or vertically mounted p.c. board due to separate fixings which may be used in various positions
- detailed information can be downloaded at www.apra-norm.com



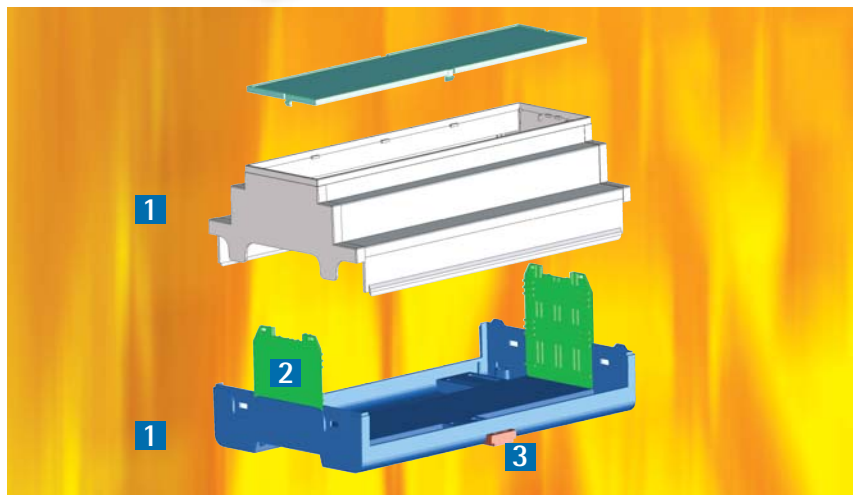
Dimension W x H x D:

- DB 2 Module: 36,0 x 90 x 58 mm (max. 69 mm)
- DB 3 Module: 53,5 x 90 x 58 mm (max. 69 mm)
- DB 4 Module: 72,0 x 90 x 58 mm (max. 69 mm)
- DB 6 Module: 107 x 90 x 58 mm (max. 69 mm)
- DB 9 Module: 160,6 x 90 x 58 mm (max. 69 mm)

Material: Polycarbonate UL94V-0

Finish: top shell light grey RAL 7035
bottom shell anthracite grey RAL 7016

Special depths, colours or customisation on request! Further sizes will follow.



Order data

Description	2 Module	3 Module	4 Module	6 Module	9 Module
apraRAIL DB, closed type	449-320-50	449-330-50	449-340-50	449-360-50	449-370-50
apraRAIL DB, with ventilation slots	449-320-40	449-330-40	449-340-40	449-360-40	449-370-40
front panel apraRAIL DB, light grey RAL 7035	449-320-30	449-330-10	449-340-10	449-360-00	449-370-00
front panel apraRAIL, transparent	449-320-60	449-330-60	449-340-60	449-360-60	449-370-60
apraRAIL DB, closed type, with ventilation slots	449-320-01	449-330-01	449-340-01	449-360-11	449-370-11
apraRAIL DB, closed type, non ventilation	449-320-02	449-330-02	449-340-02	449-360-12	449-370-12

apra-norm Elektromechanik GmbH

Gewerbegebiet · D-54552 Mehren/Vulkaneifel · Phone: +49 (0) 65 92 204-0 · Fax: +49 (0) 65 92 204-158
sales@apra.de · www.apra-norm.com

Subject to technical modification

22.08.2011

114