



19" TiRAX cabinet system

from page 3



19" NETcell cabinet system

from page 31



Open 19" racks

from page 43



Wall-mounting/stand-alone
distribution systems

from page 53



Wall-mounting enclosure
systems

from page 63



Air conditioning technology

from page 77



Power distribution system

from page 85



Cabinet monitoring

from page 101



Cable management

from page 105



Workstation systems

from page 109

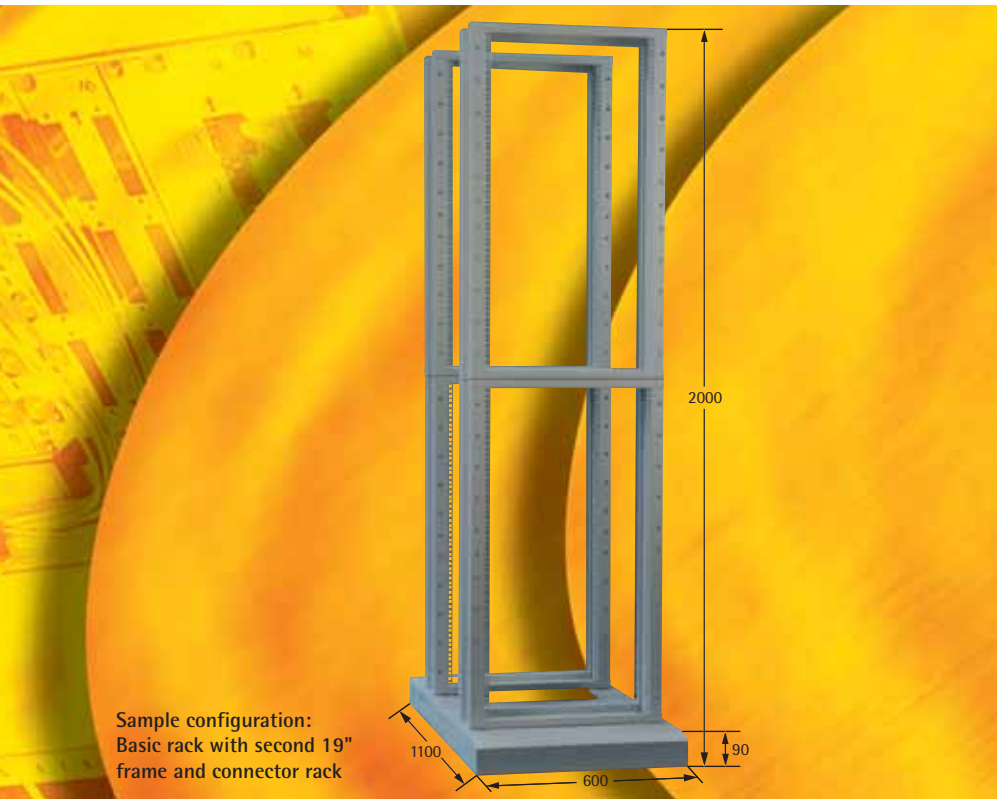


General accessories/
distribution technology

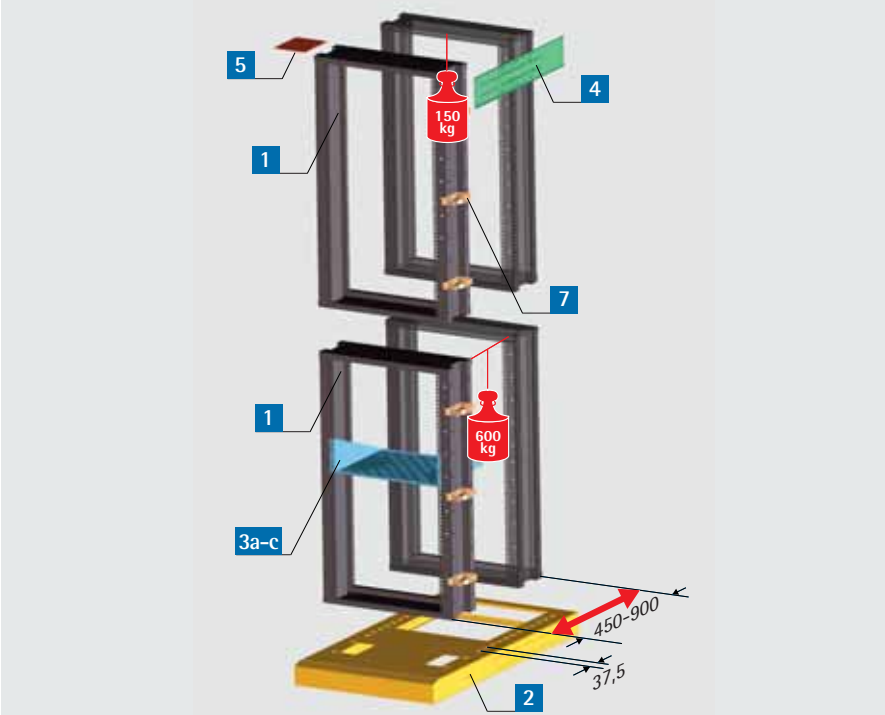
from page 123



You can read more about products from the apra-group at www.apra-norm.com



Configure and install your own distribution rack
Select the components you want step by step.



Open distribution rack easyVARI

- can be completely dismantled
- easy transport to installation site
- simple assembly and installation of passive and active network components without interfering with cabinet mounts
- easy ventilation and installation, since no trim parts interfere
- 10 metal clamps are attached to every rack for cable entry. Cross-connection between individual racks is realised through the base
- 19" frame, variable depth 450-900 mm in 50 mm jumps

Finish: RAL 7035 light grey

Material: sheet metal

Delivery: unmounted

Components (see drawing left)

Item	Description	Page
1	19" frame 21 U	44
2	Base, H=100 mm	44
3a-c	19" shelves	45
4	Depth struts, variable depth	45
5	Cabinet connector set	45
6a-c	Slide rails (without fig.)	45
7	Cable clamps	45

Scope of delivery **Basic Rack**

Item	Pc.	Description
1	2	19" frame 21 U
2	1	Anti-tip base H = 100 mm, D = 1150 mm Cable inputs/outputs back and side
7	10	Cable clamps 125 x 66 mm

Scope of delivery **Connector rack**

Item	Pc.	Description
1	2	19" frame 21 U
2	1	Anti-tip base H = 100 mm, D = 1150 mm Cable inputs/outputs back and side
5	1	Cabinet connector set
7	10	Cable clamps 125 x 66 mm

Scope of delivery **Extension frame**

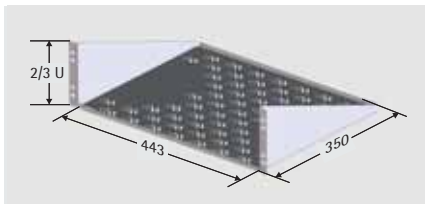
Item	Pc.	Description
1	2	19" frame 21 U

Order information

Description	H x W x D mm	Order no.
Basic rack	2100 x 600 x 1100	582-101-00
Connector rack	2100 x 600 x 1100	582-101-10
Extension frame	1970 x 600 x 190	582-101-15



3a 19" shelf 1 U / 2 U fixed installation



- simple assembly on a 19" grid (only one 19" level required)
- ventilated

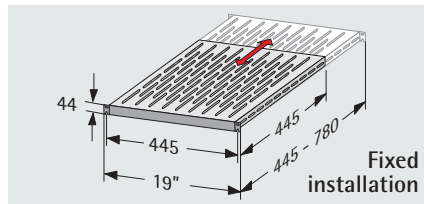
Finish: RAL 7035 light grey

Material: sheet metal

Load capacity: 15 kg (distributed load)

Height	Order no.
2 U	315-810-20
3 U	315-810-00

3b 19" shelf 1 U **VARI**plain fixed installation



- variable depth with VARIplain technology
- telescopic: 445 - 780 mm (see diagram)
- simple one-person assembly through open long hole in the 19" front (hook-in)

Finish: RAL 7035 light grey

Material: sheet metal

Dimensions (H x W x D):

1 U (44 mm) x 19" (482.6 mm) x 445 mm

Floor space (w x d):

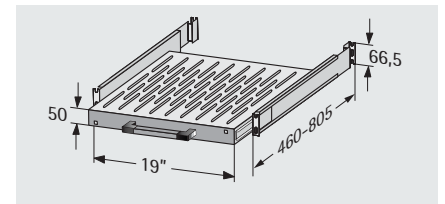
445 mm x (445 mm-780 mm)

Load capacity:

150 kg (distributed load/static)

Order no.
316-036-99

3c 19" shelf 1.5 U extractable



- variable-depth installation
- extraction length 500 mm
- simple one-person assembly

Finish: RAL 7035 light grey

Material: sheet metal

Dimensions (H x W x D):

1.5 U (66.5 mm) x 19" (482.6 mm) x

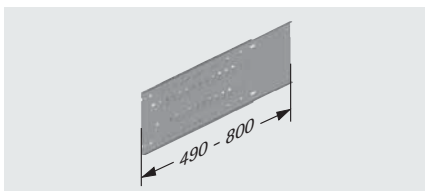
465 / 665 mm

Floor space (w x d): 410 x 465 x 665 mm

Load capacity: 60 kg (distributed load)

Depth	Order no.
465 mm	318-141-00
665 mm	318-141-01

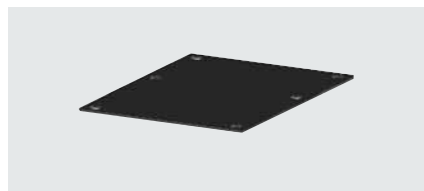
4 Depth struts, variable depth



- to connect two 19" frames installed one behind the other

Order no.
582-101-32

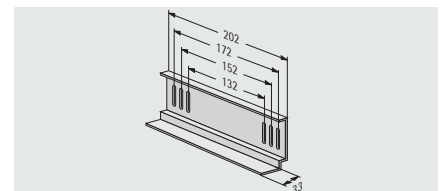
5 Cabinet connector set



- for the lateral connection of other distribution racks

Order no.
582-101-34

6a Slide rail

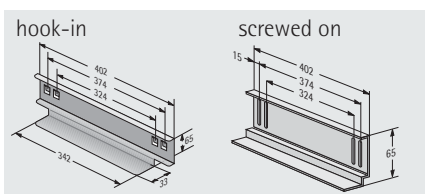


- for the installation on one 19" level 21 U

Load capacity: 50 kg

Order no. (pair)
312-543

6b Slide rail, hook-in/screwed on

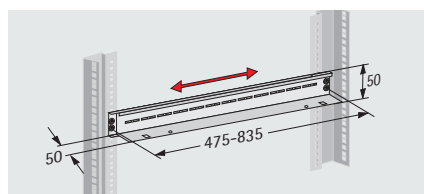


- to support heavy 19" plug-in units
- two 19" levels are required for mounting

Load capacity: 50 kg

Version	Order no. (pair)
hook-in	316-544-00
screwed on	312-544

6c Slide rail, variable depth

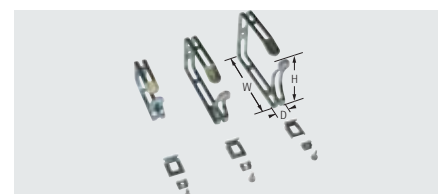


- depth-adjustable
- to support 19" plug-in units (e.g. servers) irrespective of the clearance between the first and second 19" level

Load capacity: 50 kg

Order no. (pair)
316-544-20

7 Cable clamp set



- for positioning cables vertically on the 19" frame
- set = 10 pieces

Material: steel

H x W x D mm	Order no.
66 x 125 x 23	640-036-12
88 x 125 x 23	640-036-13



585 • 19" laboratory rack



Sample configuration

19" laboratory rack 21 U

- for frequent access to 19" equipment, for example in laboratories, development and test departments: this 19" laboratory rack is a cost-effective alternative to a cabinet.

Finish:

RAL 7035 light grey

Pedestal RAL 7037 (dusty grey)

Material: sheet metal, die cast**Load capacity:** 120 kg**Delivery:** unmounted**Options:**

- expandable with set of rollers (see below)
- cable entry either at front or rear (see "Accessories" page 123)

Scope of delivery Laboratory rack

Pc.	Description
1	19" sheet metal frame 21 U with grid in front and rear
2	Pedestal with integrated adjusting feet
1	Mounting material

Scope of delivery Extension module

Pc.	Description
1	19" sheet steel frame 21 U with front and rear grid
1	Mounting material

The following can be used as accessories: Shelves 1 U / 2 U **3a** and cable clamp set **7** (for both see page 45).

Order information

Description	H × W × D mm	Order no.
Laboratory rack 21 U	1044 × 561 × 770	585-010-20
Extension module 21 U a	984 × 561 × 190	585-010-22

Castor set for laboratory rack



- for installation on the pedestal set
- H = 100 mm

Load capacity: 225 kg

Order no.
582-101-30



19" networking rack 4 U

- the small 19" frame is ideal for space-saving yet secure mounting of 19" components
- can be mounted both horizontally and vertically
- with two extra drill holes in the bottom panel, it can also be mounted under a desktop or as simple wall rack
- includes raised floor shelf to accommodate excess cable lengths
- fast time-saving assembly
- cost-saving solution for small networks
- designed as simple assembly stands for 19" components in laboratories or test rooms

Material: sheet metal

Finish: RAL 7035 light grey

Dimensions (H x W x D):

190 mm x 502 mm x 250 mm

Delivery: unmounted

Scope of delivery

Item	Pc.	Description
1	1	Basic plate
2	1	Side part left
3	1	Side part right
	16	Screws M 5 x 12
	16	Decorative washers M 5 with collar
	16	Cage nuts M 5 - 8
	1	Mounting material

Order no.
582-004-00





582 • 19" wall rack



19" wall rack

The 19" level can be depth adjusted from 300 mm up to a maximum of 500 mm providing enough space for cable routing even for deep plug-in units.

A second 19" level at the rear of the rack allows the assembly of sliding rails to accept heavy plug-in units. The cable feed above and below is fitted with an integrated strain-relief strip.

The 19" wall rack is simple to mount since the fixing holes can be marked to the wall by using the mounted 19" rack and subsequently be drilled and screwed.

Construction:

The 19" wall rack comprises two wall brackets **1**, upper and lower extraction rails **2** and a front and/or rear 19" level **3**.

The 19" wall rack represents a flexible, effective and cost-effective 19" alternative in the wall distribution sector.

Finish:

Wall bracket RAL 7035 light grey
Extraction rails /19" level: galvanised

Load capacity:

19" level front: 60 kg
19" level front and rear 100 kg

Delivery: unmounted

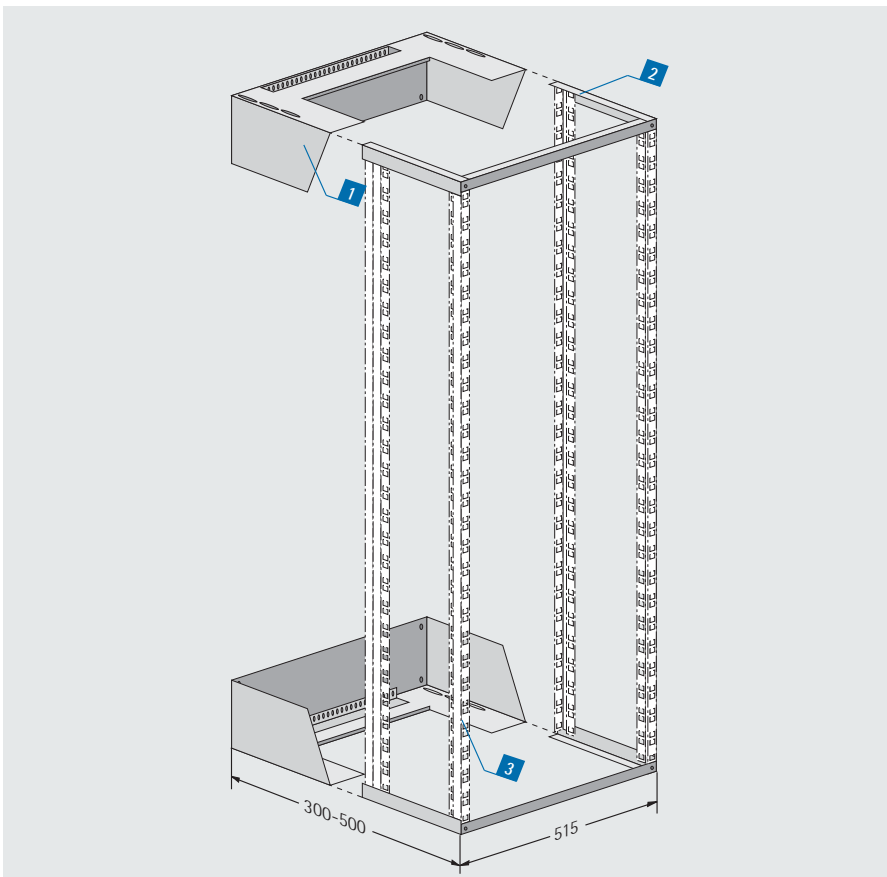
Scope of delivery

Item	Pc.	Description
1	2	Wall bracket
2	2	Mounting material

Order information

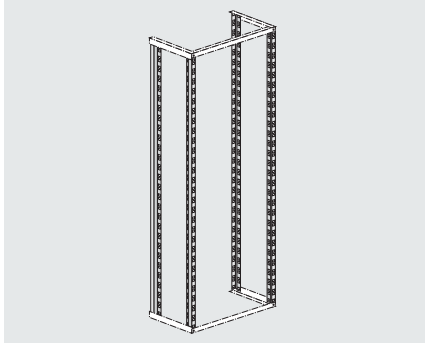
Order no.
582-010-00

A maximum of 4 vertical mountings can be integrated into the open wall rack. 19" vertical mountings **3** please order separately based on your U requirements (see page 49).





3 19" vertical mountings for wall rack



Finish: galvanised

A maximum of 4 vertical mountings can be incorporated into the open wall rack.

U	Order no. (piece)
9	500-309
12	500-312
15	500-315
18	500-318
24	500-324

19" cable entry panel 1 U with plastic clips



- for clear, neat horizontal cable entry in the 19" level
- incl. 5 cable clips and mounting material

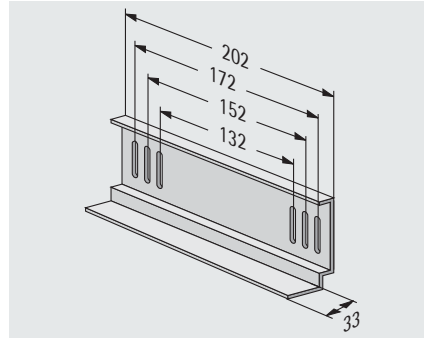
Finish:
RAL 7035 light grey or
RAL 9005 jet black

Dimensions (H x W x D):
44 mm x 482.6 mm x 60 mm

Scope of delivery: with mounting material

U	RAL 7035	RAL 9005
1	213-145-00	213-145-30

Slide rail for 19" vertical mounting



- to support heavy plug-in units
- includes mounting material

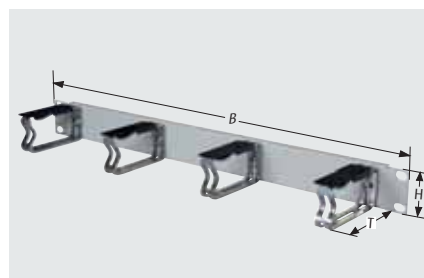
Finish: galvanised
Material: sheet metal

Scope of delivery: with mounting material

Four 19" vertical mountings are required for mounting

Order no. (pair)
312-543

19" cable entry panel 1 U / 2 U with metal clips



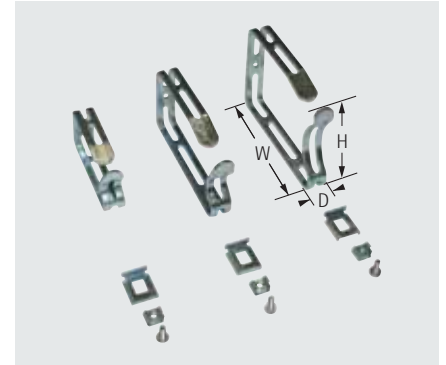
- for controlled and clearly arranged horizontal cable guiding at the 19" level
- including 4 cable hoops and lockings

Finish: painted/chrome-plated
RAL 7035 light grey or
RAL 9005 jet black

Dimensions (H x W x D):
for 1 U: 44 mm x 482.6 mm x 90 mm
for 2 U: 88 mm x 482.6 mm x 130 mm

U	RAL 7035	RAL 9005
1	213-145-41	213-145-42
2	213-145-43	213-145-44

Cable clamp set

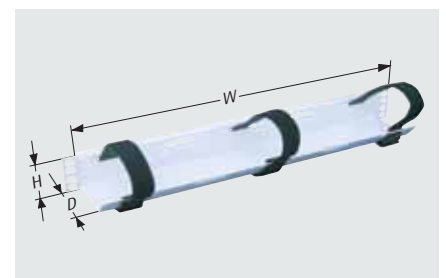


- for positioning cables vertically on the 19" frame
- set = 10 pieces

Material: steel

H x W x D mm	Order no. (set)
66 x 125 x 23	640-036-12
88 x 125 x 23	640-036-13

19" cable entry panel 1 U with Velcro fasteners

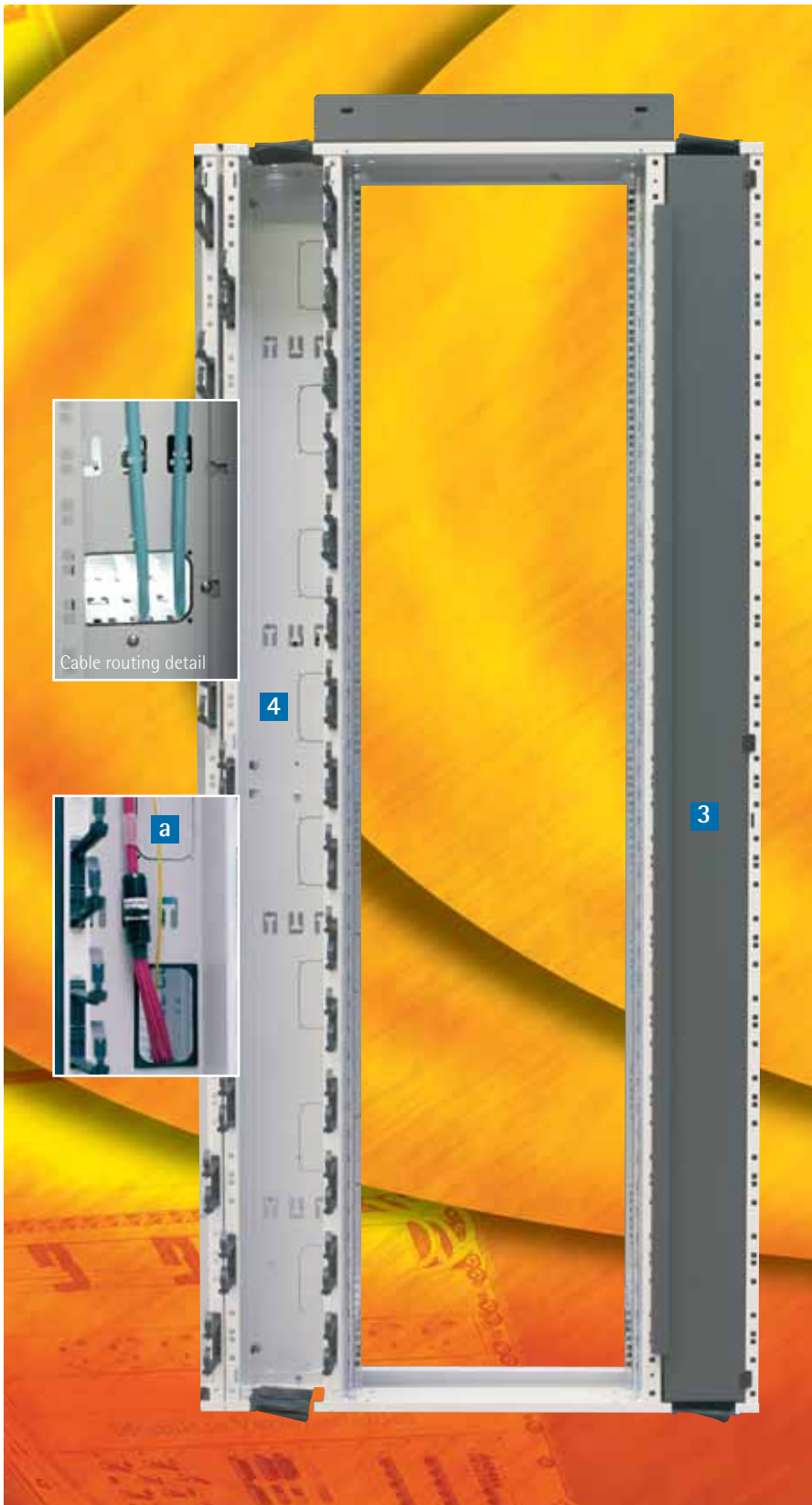


- for clear and neat horizontal cable entry at the 19" level with Velcro fastener
- incl. 3 Velcro strips and mounting material

Finish:
RAL 7035 light grey or
RAL 9005 jet black

Dimensions (H x W x D):
44 mm x 482.6 mm x 90 mm

U	RAL 7035	RAL 9005
1	213-161-00	213-161-10



1 NETcell "easy" 46 U

- 19" frame rack with surrounding cable ducts
- the rack can be closed with perforated doors **2**

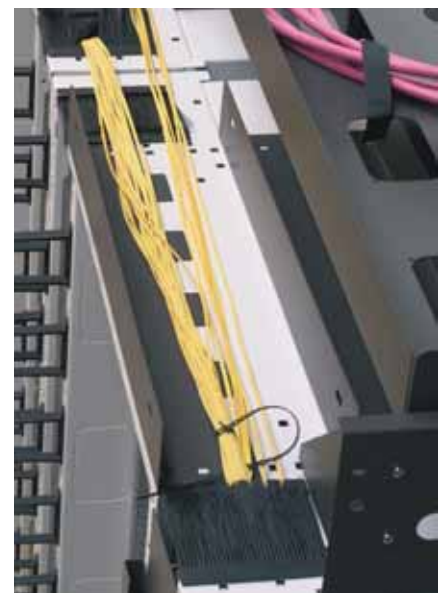
Material: sheet metal
Finish: RAL 7035 light grey

Cable duct

- designed for easy routing of high volume of data and power cables (vertical and horizontal)
- with self-locking cable duct door **3** to cover the spacious cable channels (pivot 180°)
- with cable clamps **4** for quick installation and to ensure a clear layout
- breakouts **a** for individual cable management from front to back and/or sideways

modular cable trays

- for separate routing of data and power cables

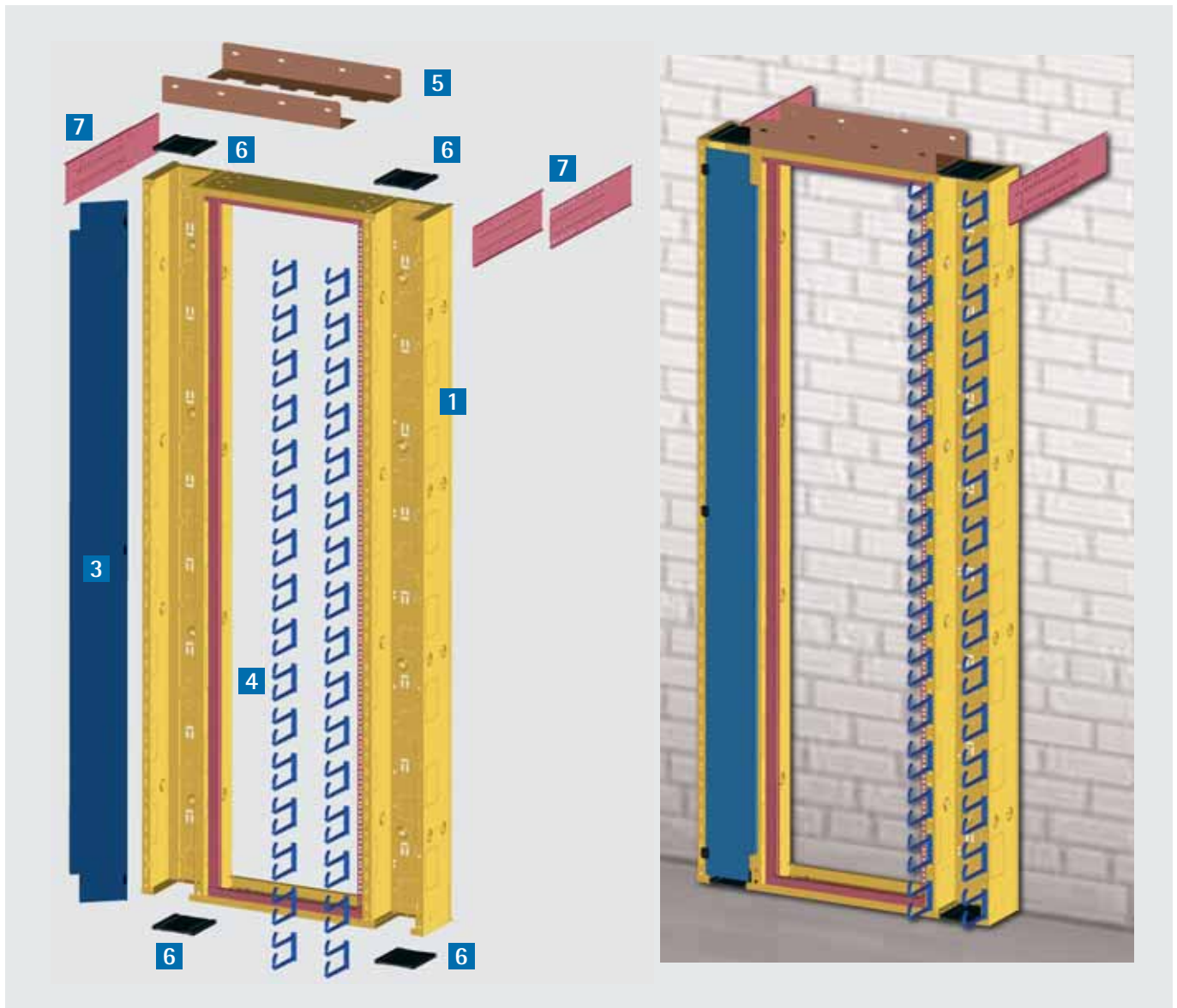


Scope of delivery

Pc.	Description
1	Frame with integrated cable ducts
1	19" extension (46 U)

Order information

Description	H × W × D mm	Order no.
NETcell "easy" 46 U	2130 × 900 × 190 (46 U)	583-002-00



Item	Description
1	Basic system
2	Door ventilated
3	Hinged panel
4	Cable clamp set
5	Cable routing angle
6	Brush set for cable duct
7	Wall bracket set, variable depth
8	Universal guide rail for cable duct (without fig.)

2 Door ventilated (80 % perforated)



- for mounting on the frame of the basic system
- Version **2a**: flush-mounted with the frame
- Version **2b**: flush-mounted with the cable clamp **4**
- with turning lever lock for profile half cylinder (with push button opening on delivery)

Material: sheet metal

Finish: RAL 7035 light grey

Load capacity: 300 kg (static)

Version	W/D mm	Order no.
2a	900	583-000-76
2b	900	583-000-80



3 Hinged panel



- for covering the cable duct
- with hinges for quick opening and closing

Material: sheet metal

Finish: RAL 7035 light grey

Order no.
583-000-83

4 Cable clamp set

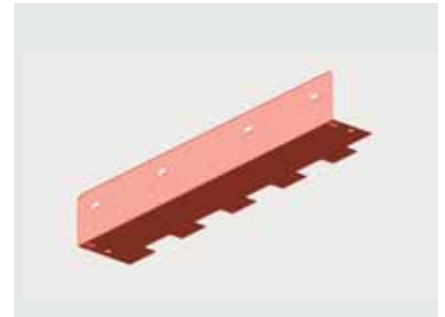


- to be clipped onto the front of the cable duct
- set = 30 pieces (1 cable duct)

Material: plastic, black

Order no. (set)
583-001-12

5 Cable routing angle bracket



- to set up a cable duct system on the cabinet system

Material: sheet metal

Finish: RAL 7035 light grey

Order no. (1 piece)
583-000-73

6 Brush set for cable duct

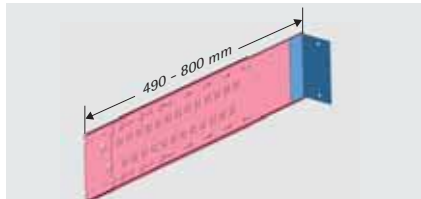


- set = 8 pieces

Material: plastic, black

Order no. (set)
583-001-15

7 Wall bracket system, variable depth



- to connect the NETcell "easy" system to the building wall
- set = depth-variable guide rails + wall-mounting bracket and screw set (for above-mentioned items)

NOTE:

without wall screws and rawl plugs

Material: sheet metal, hot dip galvanised

Order no. (set)
583-001-09

8 Universal guide rail for cable duct



- mounting possible on all sides of the cable duct (max. 2 per side)
- for individual mounting of e.g. PDU, cable clips etc.
- fastening of components with sliding nuts (4 included in scope of delivery)
- Length: 2 m

Material: steel

Order no. (set)
583-001-11

Adjusting feet set



- to screw onto the NETcell "easy"
- set = 2 pieces

Material: steel / plastic

Order no. (set)
583-001-07

Velcro strip "Universal"



- for quickly securing non 19"-compatible components
- Length: 300 mm, Width: 20 mm
- back to back mounting
- set = 10 pieces

Material: velcro, black

Order no. (set)
671-122-08

Edge protection frame



- retrofittable edge guard for use in cable ducts

- set = 10 pieces

Material: plastic, black

Order no. (set)
583-001-10