



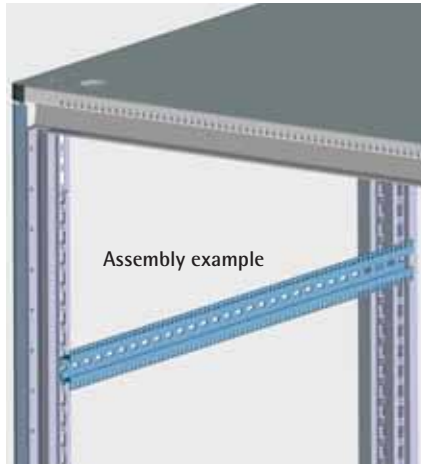
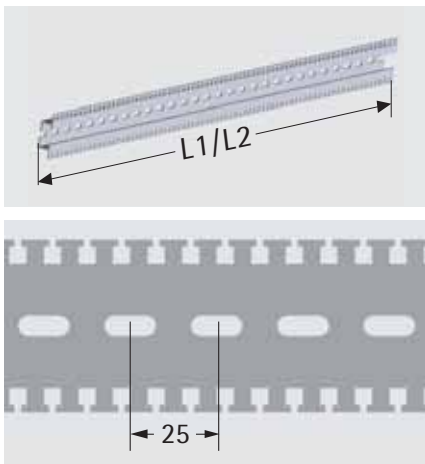
	19" TiRAX cabinet system	from page	3	
	19" NETcell cabinet system	from page	31	
	Open 19" racks	from page	43	
	Wall-mounting/stand-alone distribution systems	from page	53	
	Wall-mounting enclosure systems	from page	63	
	Air conditioning technology	from page	77	
	Power distribution system	from page	85	
	Cabinet monitoring	from page	101	
	<b>Cable management</b>	from page	<b>105</b>	
	Workstation systems	from page	109	
	General accessories/ distribution technology	from page	123	



You can read more about products from the apra-group at [www.apra-norm.com](http://www.apra-norm.com)



## "Universal" cable guard rail

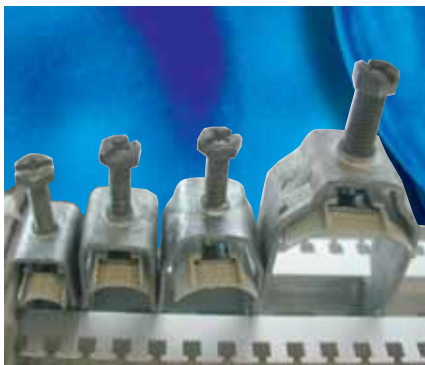


- with integrated cable management bracket
- holds cable ties and cable clips in place

**Material:** aluminium, anodised  
**Scope of delivery:** includes mounting material

Version	Order no.
L1 (520 mm)	318-121-10
L2 (720 mm)	318-121-11

## Cable clamps



- to mount cables on the "Universal" cable guard rail

Size for cable Ø mm	Order no.
8-12	640-132
12-16	640-133
16-22	640-134
28-34	640-134-10

## "Universal" velcro strip



- for quickly securing **non 19"-compatible** components
  - Length: 400 mm, width: 20 mm
  - back to back mounting
  - set = 10 pieces
- Material:** velcro, black

Order no. (set)
671-122-04

## "Universal" velcro mount

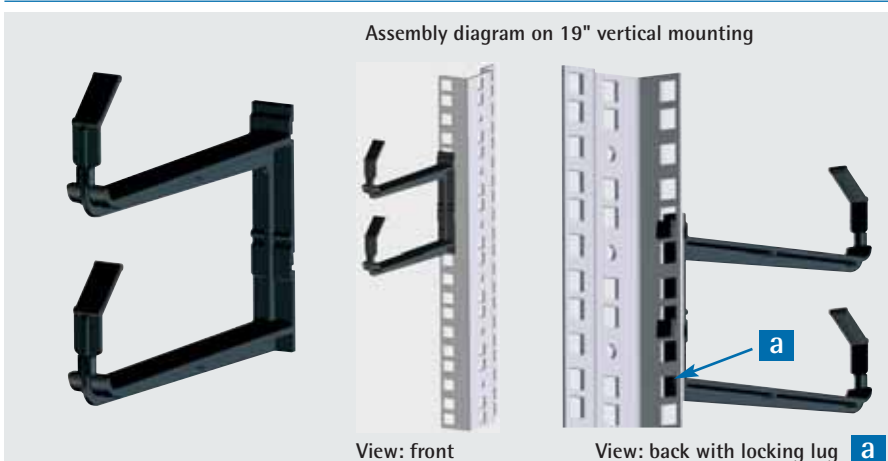


- velcro mount used to accommodate velcro up to w=20 mm
- set = 10 pieces

**Material:** plastic

Order no. (set)
583-001-08

## "Universal" cable clip set



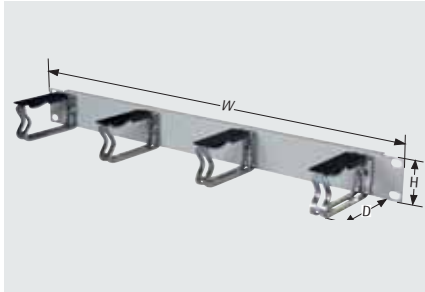
- to clip into 19" standard vertical mounting
- set = 10 pieces

**Material:** plastic

Order no. (set)
640-030-35



## 19" cable routing panel with metal clamps 1 U/2 U



- for clear and neat horizontal cable routing in the 19" level
- including 4 cable hoops and lockings

**Finish:** painted/chrome-plated  
RAL 7035 light grey  
RAL 9005 jet black

**Material:** sheet metal/metal

**Dimensions (H x W x D):**

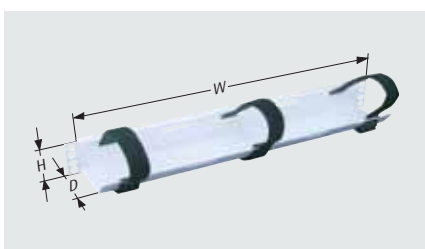
44/88 x 482,6 x 90/130 mm

**Scope of delivery:**

complete with mounting material

U	RAL 7035	RAL 9005
1	213-145-41	213-145-42
2	213-145-43	213-145-44

## 19" cable routing panel 1 U with Velcro fasteners



- for clear and neat horizontal cable routing in the 19" level with Velcro fastener

**Finish:**

RAL 7035 light grey

RAL 9005 jet black

**Material:** sheet metal/plastic

**Dimensions (H x W x D):**

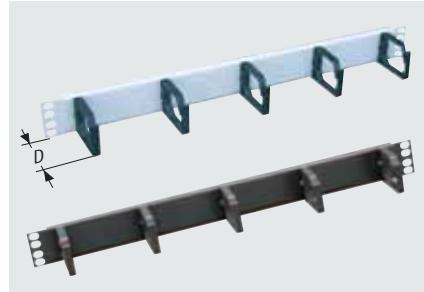
44 x 482.6 x 90 mm

**Scope of delivery:**

complete with 3 x Velcro strip and mounting material

U	RAL 7035	RAL 9005
1	213-161-00	213-161-10

## 19" cable routing panel with plastic clamps 1 U



- for clear and neat horizontal cable routing in the 19" level
- clips: Version, narrow

**Finish:**

RAL 7035 light grey

RAL 9005 jet black

**Material:** sheet metal/plastic

**Dimensions (H x W x D):**

44 x 482.6 x 60 mm

**Scope of delivery:**

complete with mounting material

U	RAL 7035	RAL 9005
1	213-145-00	213-145-30

## 19" cable routing panel with cover panels 1 U / 2 U



- for clear and neat covered cable routing in the 19" level
- with adjustment options
- removable front panel

**Finish:**

RAL 7035 light grey

RAL 9005 jet black

**Material:** sheet steel

**Dimensions (H x W x D):**

44/88 x 482.6 x 100 mm

**Scope of delivery:**

complete with mounting material

U	RAL 7035	RAL 9005
1	213-145-65	213-145-95
2	213-145-68	213-145-98

## 19" switch panel, plastic 1 U



- for clear and neat horizontal cable routing in the 19" level
- weight-saving in comparison to traditional metal panels
- fire protection classification to UL94 V-0

**Finish:** black (similar to RAL 9005)

**Material:** plastic (polyamide)

**Dimensions (H x W x D):**

44 x 482.6 x 60 mm

**Scope of delivery:**

complete with mounting material

Order no.
213-145-80

## 19" cable duct 1 U with brush and strain-relief comb



- for cable entry with brush

**Finish:**

RAL 7035 light grey

RAL 9005 jet black

**Material:** sheet metal/plastic

**Dimensions (H x W x D):**

44 x 482.6 x 12 mm

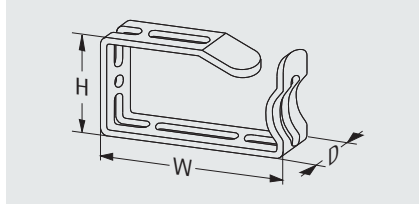
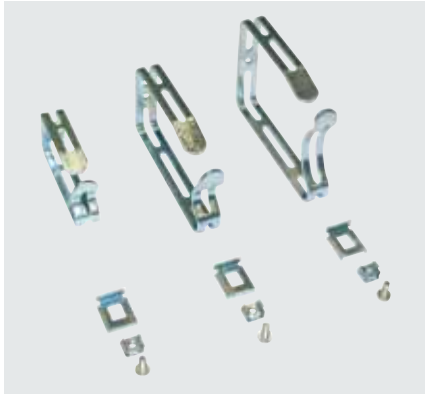
**Scope of delivery:**

complete with brush and mounting material

U	RAL 7035	RAL 9005
1	213-146-00	213-146-10



## Cable clips, metal

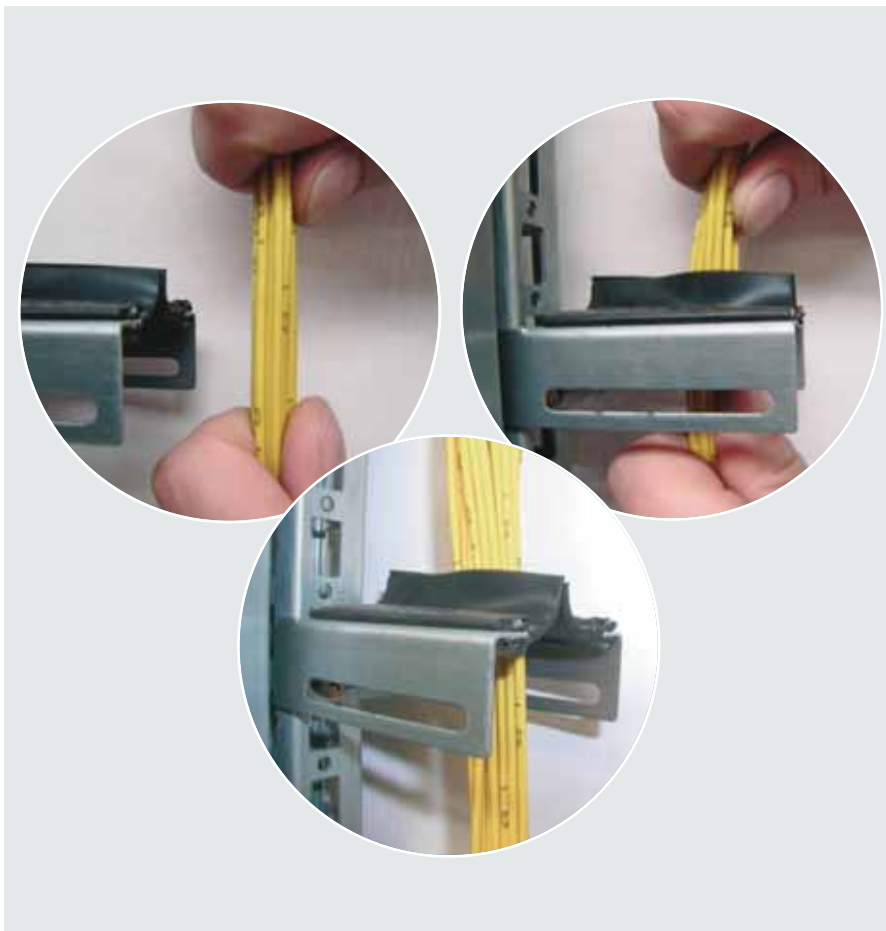


- for securing cables vertically to a 19" rack (for 800 mm wide cabinets)
- set = 10 pieces

**Scope of delivery:** includes mounting material

Design	Dimensions (H x W x D) mm	Order no. (set)
Size 1	44 x 85 x 23	640-036-11
Size 2	66 x 125 x 23	640-036-12
Size 3	88 x 125 x 23	640-036-13

## "Easyfix" cable holder



- quick, clear and protective holders for vertical cabling in the rack
- preferred application for fibre optic cables

<b>Order no.</b>
640-036-15

## Cable tray



- for vertical cable routing in racks
- fixing option for cable clamps, sizes 1, 2 and 3
- three cable bundles can be routed separately, e.g. power cords, patch cables and fibre optic cables

**Finish:** RAL 9005 jet black

**Dimensions (H x W):** 2 m x 250 mm

<b>Order no.</b>
318-101-26